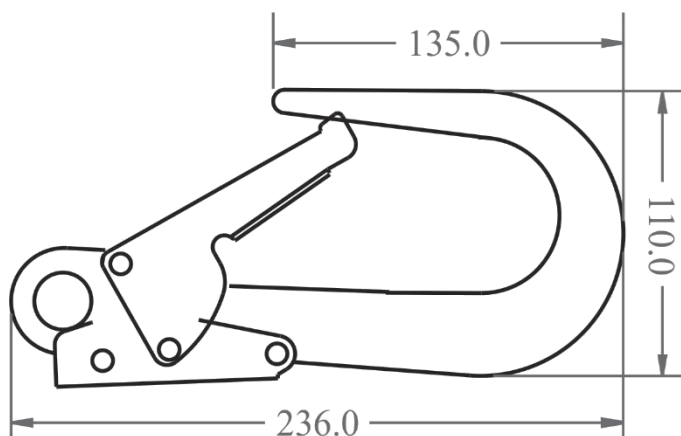




# TECHNICAL SHEET FA 50 208 60

## ALUMINIUM SCAFFOLD HOOK



### Aluminium Scaffold Hook

**Opening:** 60 mm

**Minimum breaking strength:** 23 kN

**Compliance:** EN362 : 2004 Class T.

### Material of components:

Aluminium Alloy

<b>CE</b>	<b>Weight:</b> 0.490 kg
-----------	----------------------------

#### KRATOS SAFETY

689 Chemin du Buclay  
38540 Heyrieux – FRANCE

Tel : +33 (0)4 72 48 78 27

Fax : +33 (0)4 72 48 58 32

[www.kratossafety.com](http://www.kratossafety.com) / [info@kratossafety.com](mailto:info@kratossafety.com)

#### HS CODE

76161000

#### CARTON SIZE / PCS.

40 x 30 x 19 / 25

#### AET N°3797 I1 E11

Satra Technology Centre, N°0321  
Wyndham Way, Telford Way, Kettering  
Northamptonshire, NN16 8SD, United Kingdom

#### ARTICLE 11 GB07/73551

SGS United Kingdom Ltd., N°0120  
Unit 202B, Worle Parkway,  
Weston-super-Mare, BS22 6WA, United Kingdom